

- TOTALLY SELF-CONTAINED
- QUICK-SET HEADING BUG
- INTERNAL MAGNETOMETER AND GPS
- SHARP DIMMABLE DISPLAY
- DUAL PROCESSOR PERFORMANCE
- MULTI-VOLT OPERATION (9 TO 32 VOLTS)
- FITS STANDARD PANEL CUTOUT
- VIBRATION RESISTANT
- ALL DIGITAL - NO MOVING PARTS
- BLACK ANODIZED BEZEL
- LIGHTWEIGHT 8oz. Max
- FAA CERTIFIED

**2 YEAR WARRANTY!**



Our **RCA1510** Series Digital Heading Indicator is the latest addition to our Digital Instrument Lineup. It is the perfect companion to the **RCA2610** Digital Attitude Indicator.

The **RCA1510** is designed as a fully FAA Certified direct replacement for your mechanical Directional Gyro. It is totally self-contained and fits in a standard 3-inch panel cut-out. There are no special external connections other than power and an external GPS antenna. The Multi-Volt function allows installation in both 14 Volt and 28 Volt systems.

The **RCA1510** combines data from its own internal magnetometer and GPS receiver for a more stable and accurate heading reading which also eliminates the need to “cage” or “zero” the instrument.

Because the **RCA1510** has no mechanical gyroscope, it is much more accurate than traditional heading indicators. Unlike a mechanical gyroscopic unit, the **RCA1510** is not affected by drifting or wandering. The unit is designed to work without GPS input if the GPS signal is lost.

The highly visible screen has adjustable brightness controls. It has a traditional rotating dial display with digital numeric headings. The pilot can adjust the Heading Bug just like a mechanical instrument or use the **Quick-Set Heading Bug**; a double-push of the HDG knob sets the Bug to the current heading.

<u>OPERATING VOLTAGE</u> .....	9 to 32VDC
<u>RUNNING CURRENT</u> .....	(14VDC system) 0.20 AMPS MAX (28VDC system) 0.15 AMPS MAX
<u>CIRCUIT BREAKER SIZE</u> .....	1 AMP
<u>ACCURACY</u> .....	2 DEGREES
<u>OPERATING TEMPERATURE RANGE</u> .....	-30° TO +55° C
<u>MATING CONNECTOR</u> .....	MS3116E8-4S OR EQUIVALENT
<u>DIMENSIONS</u> .....	SEE FIGURE 1
<u>WEIGHT</u> .....	.8 oz. Max
<u>FAA SPECIFICATION CONFORMANCE</u> .....	TSO-C6e, TSO-C113a, DO-160G & DO-178B Level C

Visit us at: [www.kellymfg.com](http://www.kellymfg.com)

January 2018

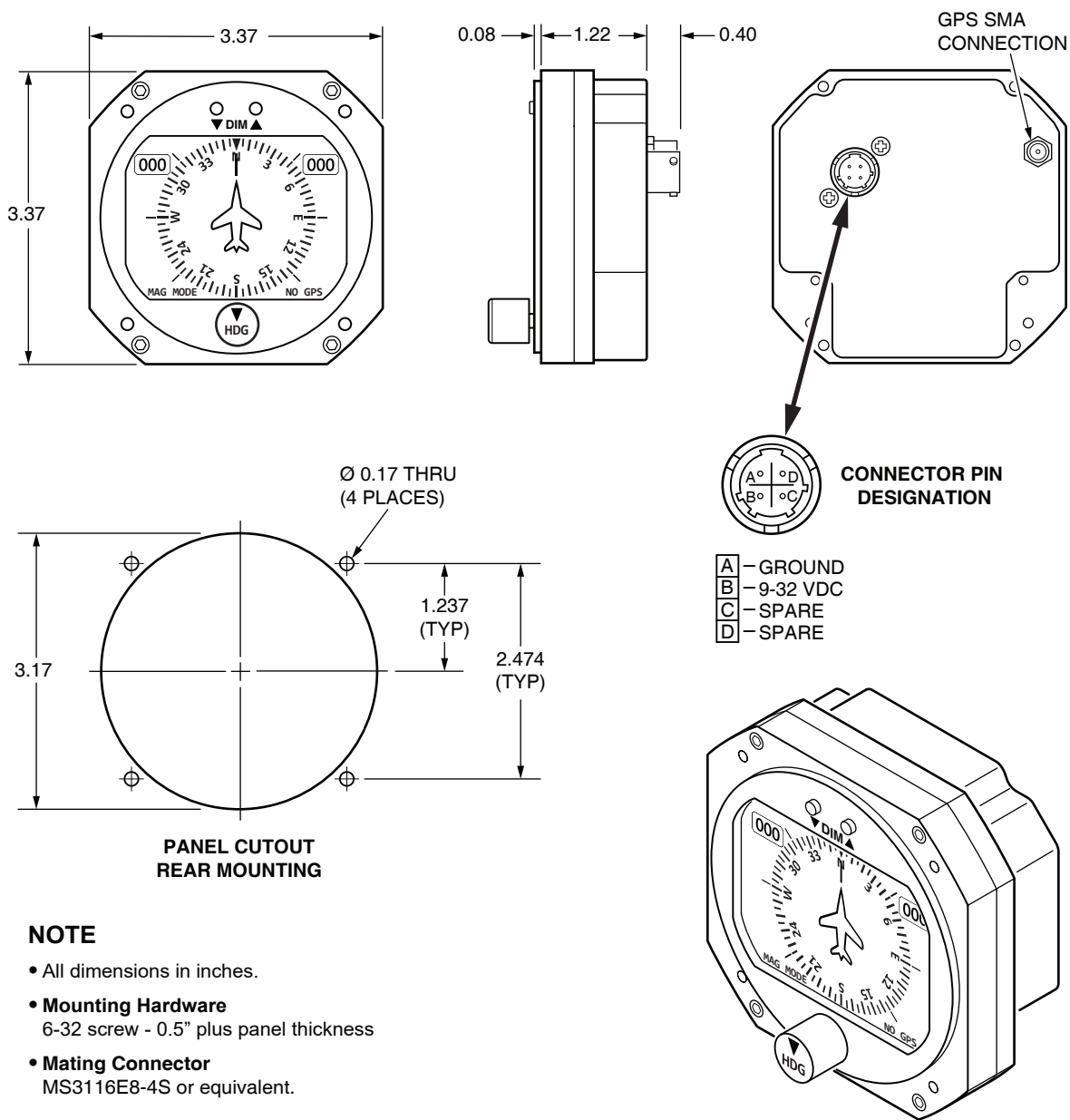


Figure 1, General Dimensions of the RCA1510-3